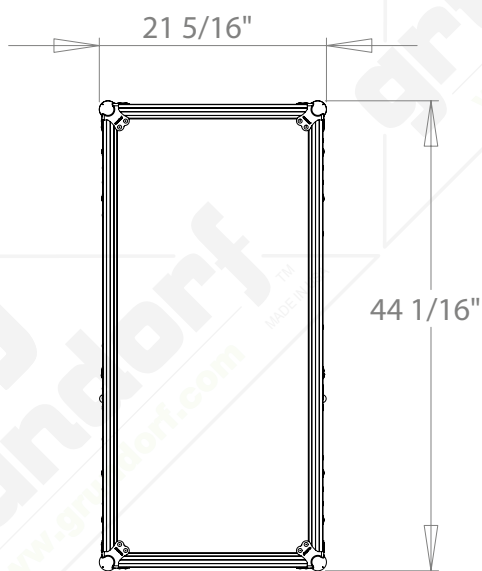
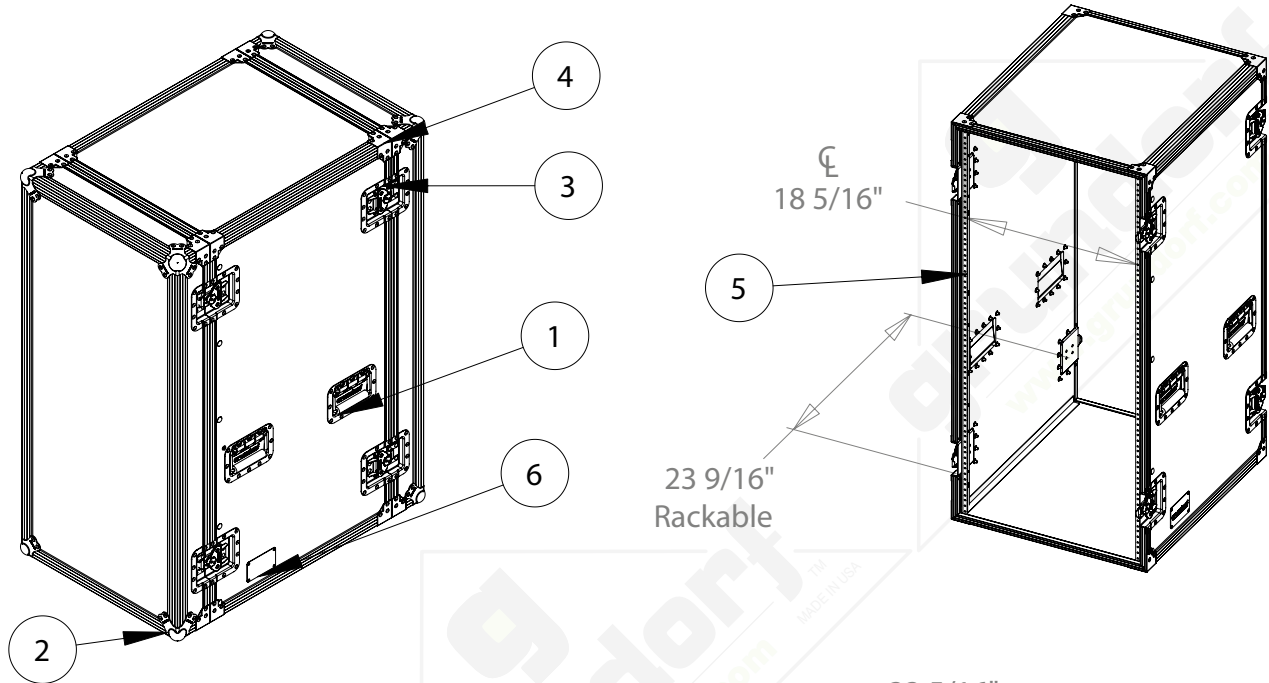
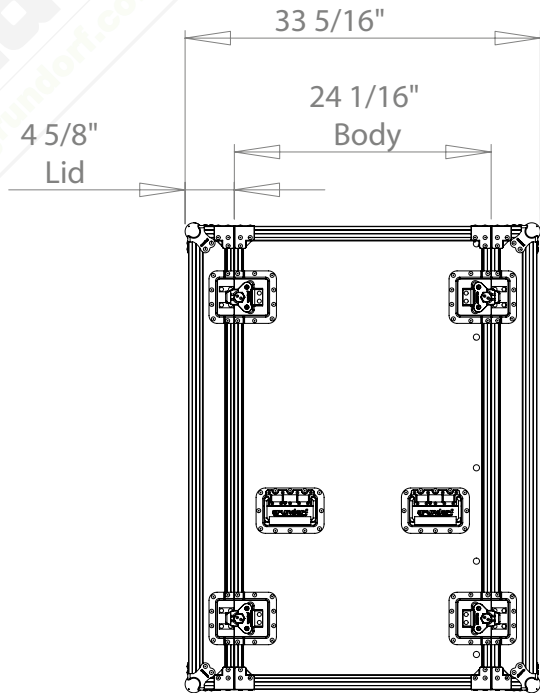


| # | QTY | PART NUMBER | DESCRIPTION                    |
|---|-----|-------------|--------------------------------|
| 1 | 4   | 31-005      | HANDLE - RECESSED/LOGO/ZINC    |
| 2 | 8   | 32-008      | CORNER-BALL/ZINC               |
| 3 | 8   | 34-013      | CATCH - RECESSED W/OFFSET/ZINC |
| 4 | 16  | 35-008      | CLAMP - LARGE/OFFSET           |
| 5 | 2   | 41-024      | RACK RAIL-24 SPACE             |
| 6 | 1   | 83-008      | BADGE - GRUNDORF ORIGINAL      |



Front View



Side View